

Installation instructions for PZ4AL-02211-00

Lexus GS 350 AWD, Lexus GS 350 AWD F-sport

Under Run Protective Shield transmission case



Model Year: 2012-

Vehicle Code: GRL15L-BETQHW

Part Number: Steel: PZ4AL-02211-00



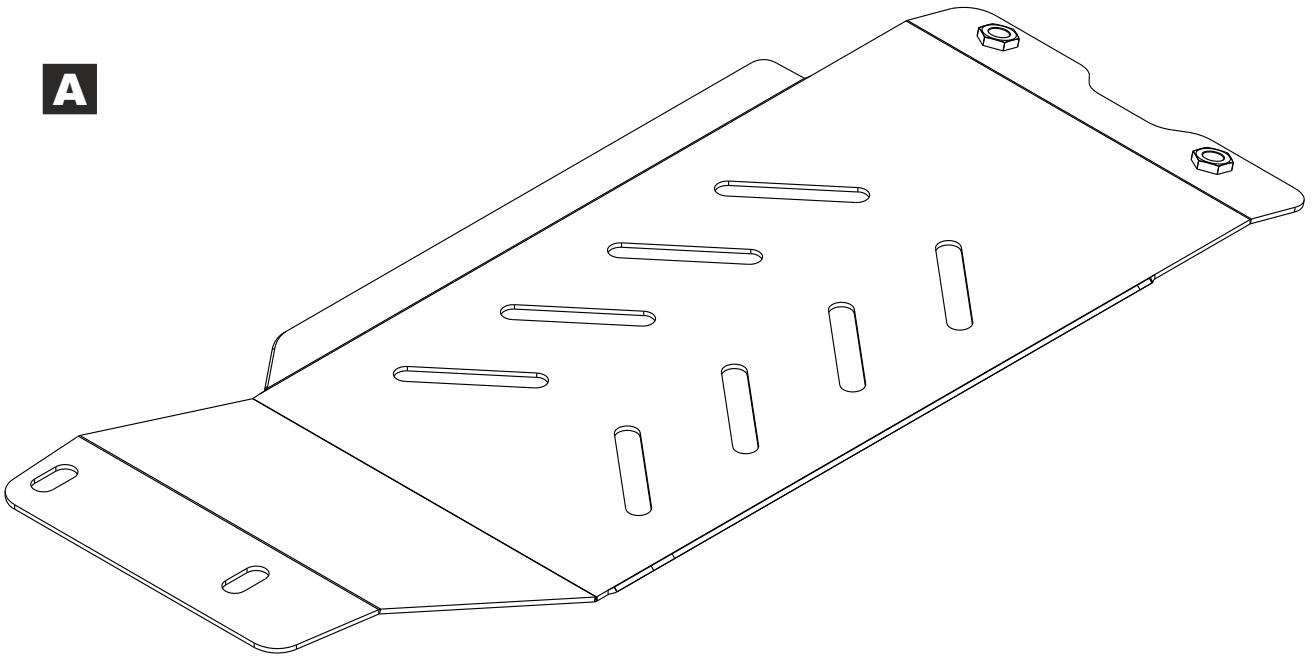
Weight: Steel: 3,11



Installation Time: 15 min

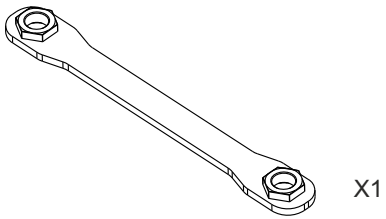
Part number: PZ4AL-02211-00

A

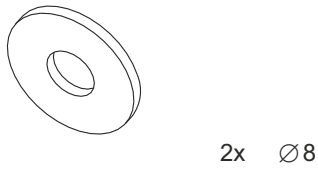


PZ4AL-02211-60

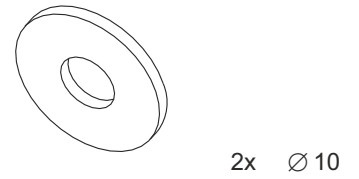
B



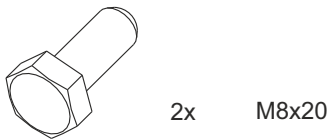
C1



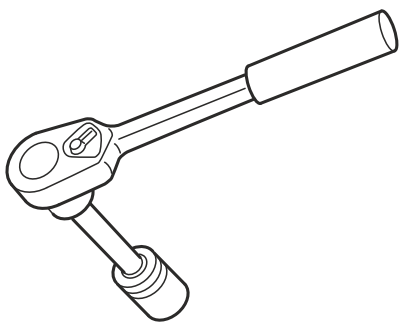
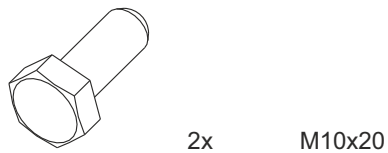
C2

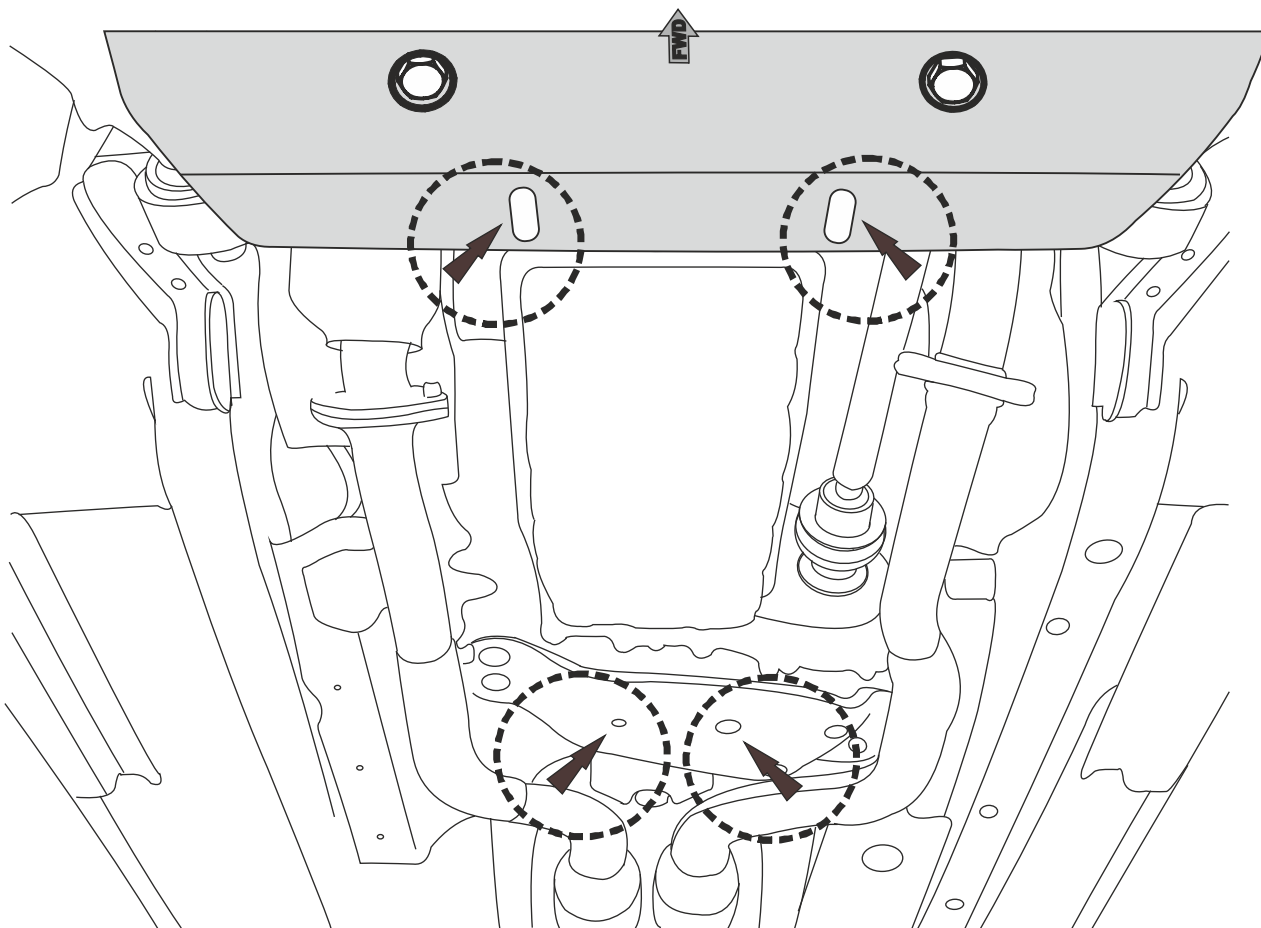
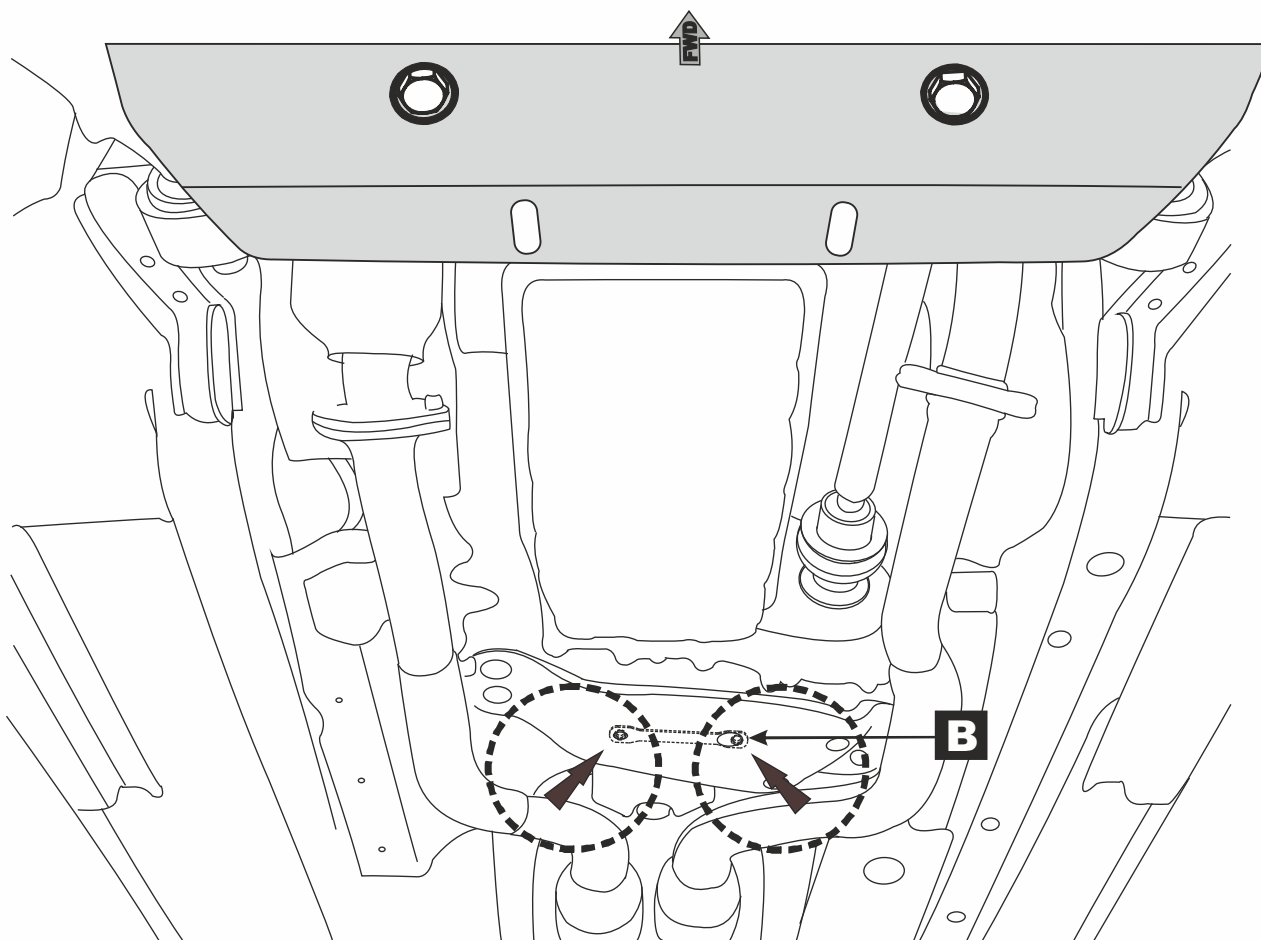


D1

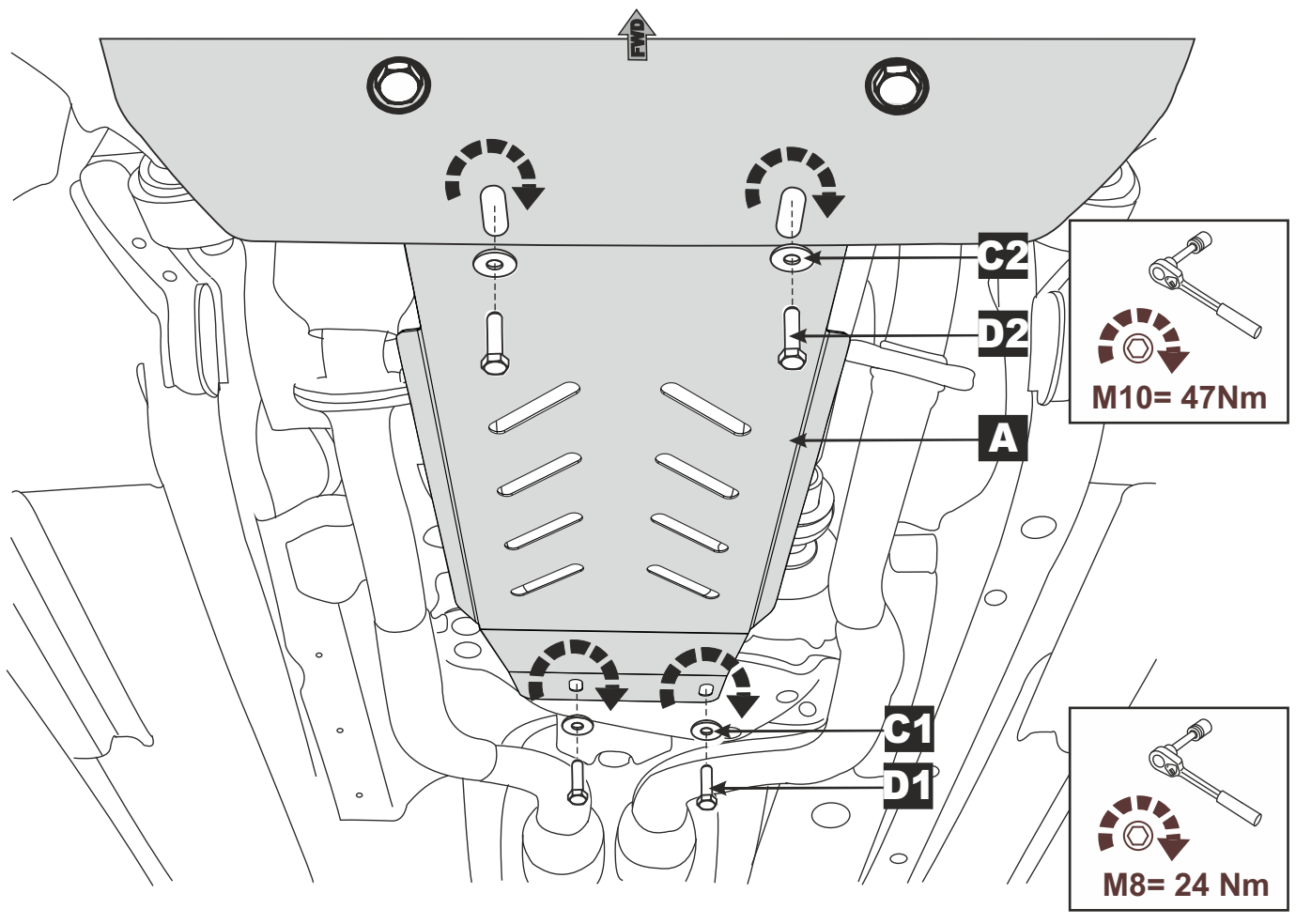


D2



1**2**

3



4

